

POWERFLEX®

PART NUMBER

PF1-1020

DESCRIPTION

LOWER ENGINE MOUNT BUSH INSERT

INSTALLATION GUIDE

Contents (parts per pack):

1 x Polyurethane Bushes 1 x PTFE/Silicone Grease
1 x Polyurethane Sleeve

Please read the complete fitting instructions and check package components before fitment. These fitting instructions are to be used as a guide and in conjunction with workshop manual.

It is recommended that:

- all work to be carried out by a licensed technician;
- all safety precautions adhered to;
- wheel alignment to be checked and adjusted as required after any suspension work.
- All fasteners must be tensioned to manufacturer's torque settings.



Fitting Instructions:

1. Remove the engine mount.
2. Clean any dirt and corrosion from the voids in the original bush and remove any flash lines.
3. Fit the polyurethane insert into the engine mount bush with the top face sitting against the chassis, as shown in Figure 1.
4. Fit in the polyurethane sleeve into the bore of the metal stub so that it sits flush inside.
5. Refit the engine mount back to the vehicle and tension all hardware to manufacturers recommended torque settings.

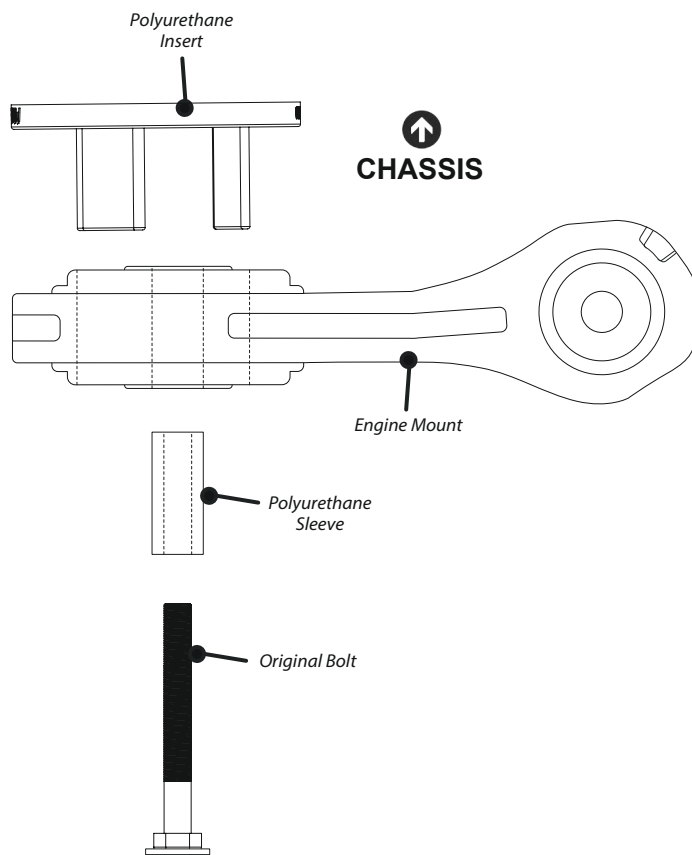


Figure 1